



## Solenoid valve 2/2 way N.O. With pilot control

4642

### PRESENTATION

S.V. with pilot control for interception of fluids compatible with the construction materials.  
 A minimum operational pressure of 0,1 bar is required.  
 The materials used and the tests carried out ensure maximum reliability and duration.

**USE:** Automation, Chemistry,  
 Low pressure steam

**PIPES:** G 1/2 - G 1

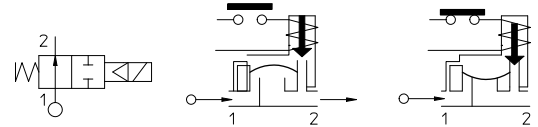
**COILS:** 8W - Ø 13  
 BDA - BSA 155°C (class F)  
 BDV 180°C (class H)

**COIL HOUSING AND COIL FORMER MATERIAL ARE  
 MADE BY 100% VIRGIN MATERIAL**

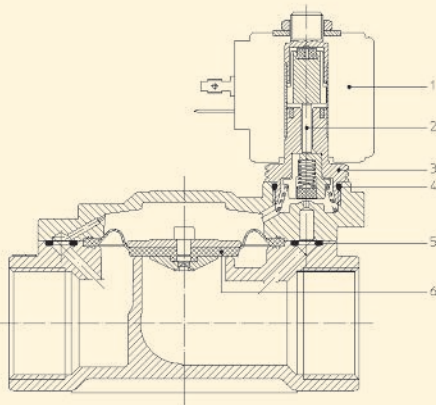
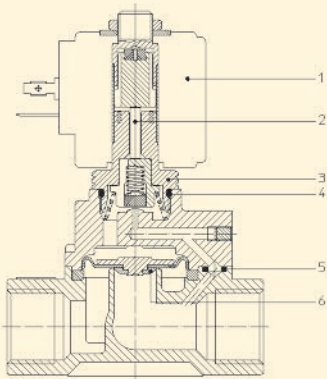
Ambient temperature:  
 See coils catalogue page for its compatibility.



Gaskets	Temperature		Medium
V=FKM (fluoroelastomer)	- 10°C	+140°C	Acqua demineralizzata, prodotti chimici compatibil con gli acciai inossidabili



Pipe ISO 228/1	Code	Max viscosity		Ø mm	Kv l/mn	Power watt	Pressure			
		cSt	°E				min	M.O.P.D.		
							bar	AC bar	DC bar	
G 1/2	4642-04	12	~ 2	12	35	8	0,1	20	20	
G 3/4	4642-05			19						130
G 1	4642-06			25						160



**MATERIALS:**

- Body** Stainless steel AISI 316
- Armature Tube** Stainless steel AISI series 300
- Fixed core** Stainless steel AISI series 400
- Plunger** Stainless steel AISI series 400
- Phase displacement ring** Gold plated copper
- Spring** Stainless steel AISI series 300
- Seal** V=FKM  
On request: B=NBR E=EPDM
- Orifice** Stainless steel AISI 316

- On request:**
- Connector** Pg 9 or Pg 11
- Connector conformity** ISO 4400

**FEATURES:**

- Electrical conformity** IEC 335
- Protection degree** IP 65 EN 60529 (DIN 40050)  
with coil fitted by connector.

**SPARE PARTS:**

- 1. Coil:**  
See coils list
- 2. Complete diaphragm support:**  
Code R450788/VX
- 3. Complete armature tube without gasket:**  
Code R450573/D
- 4. Gasket O-Ring:**  
Code R990000/V
- 5. Gasket O-Ring:**  
G 1/2 Code R990003/V  
G 3/4 - G 1 Code R990002/V
- 6. Complete diaphragm:**  
G 1/2 Code R451816/V  
G 3/4 - G 1 Code R450958/V

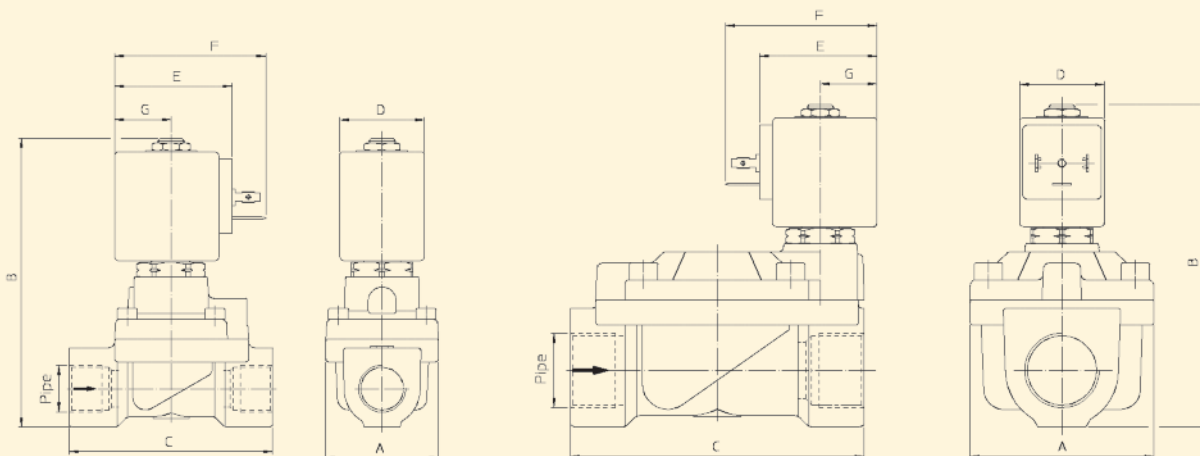
**KIT:**

KT130ZV30-H=2+3+4

**MAINTENANCE KIT:**

- G 1/2  
KTG0X1KV12=2+5+6
- G 3/4 - G 1  
KTG0X3KV19=2+5+6

**DIMENSIONS:**



Type	Pipe ISO 228/1	A mm	B mm	C mm
4642-04	G 1/2	40	103	73
4642-05	G 3/4	65	115	104
4642-06	G 1			

COIL TYPE	POWER ABSORPTION			DIMENSIONS			
	W =	Hold VA ~	Inrush VA ~	D mm	E mm	F mm	G mm
B	8	14,5	25	30	42	54	20,5