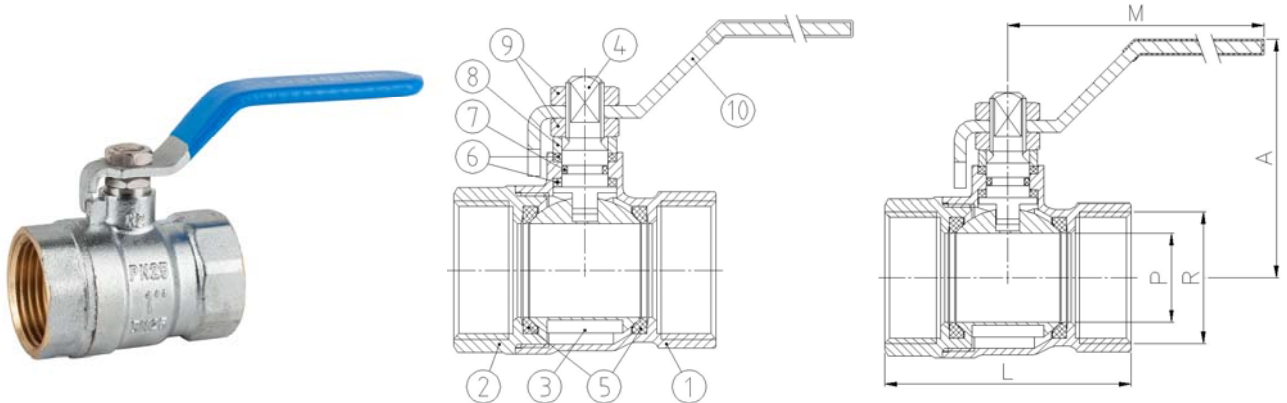


## Art.: 3028

### Válvula de esfera serie ligera / Ball valve light series

| Características                                     | Features   |
|---|--|
| 1. Válvula esfera con paso estándar.                | 1. Ball valve with standard bore.                      |
| 2. Construcción en latón s/ UNE-EN 12165 cromado.   | 2. Brass construction acc/ UNE-EN12165 chrome plated.  |
| 3. Extremos rosca gas (BSP) hembra según ISO 228/1. | 3. Gas (BSP) threaded female ends according ISO 228/1. |
| 4. Accionamiento mediante palanca de acero.         | 4. Working by means of steel lever handle.             |
| 5. Temperatura de trabajo desde -20°C a 110°C.      | 5. Working temperature from -20°C to 110°C.            |
| 6. Presión máxima de trabajo 25 bar (PN 25).        | 6. Maximum working pressure 25 bar (PN 25).            |
| 7. Asientos PTFE.                                   | 7. PTFE Seats.   |



| Nº | Denominación / Name          | Material               | Acabado Superficial / Surface Treatment |
|----|------------------------------|------------------------|---|
| 1  | Cuerpo / Body                | Latón / Brass (CW617N) | Granallado + Cromado / Peened + Chromed |
| 2  | Tapa / Cap                   | Latón / Brass (CW617N) | Granallado + Cromado / Peened + Chromed |
| 3  | Esfera / Ball                | Latón / Brass (CW617N) | Cromado / Chrome plated                 |
| 4  | Eje / Stem                   | Latón / Brass (CW617N) | Cromado / Chrome plated                 |
| 5  | Asientos / Ball seats        | PTFE                   | -                                       |
| 6  | Anillo prensa / Stem packing | PTFE                   | -                                       |
| 7  | Tórica / O-Ring              | NBR                    | -                                       |
| 8  | Anillo prensa / Stem ring    | Latón / Brass          | Cromado / Chrome plated                 |
| 9  | Tuerca / Nut                 | Latón / Brass          | Cromado / Chrome plated                 |
| 10 | Maneta / Handel              | Acero / Steel          | Dacromet                                |

| Ref.    | Medida / Size |     | Dimensiones / Dimensions (mm) |     |     |     | Peso / Weight (Kg) |
|---------|---------------|-----|-------------------------------|-----|-----|-----|--------------------|
|         | R             | DN  | P                             | A   | L   | M   |                    |
| 3028 04 | 1/2"          | 15  | 14                            | 46  | 44  | 84  | 0,130              |
| 3028 05 | 3/4"          | 20  | 18                            | 50  | 51  | 84  | 0,200              |
| 3028 06 | 1"            | 25  | 23                            | 57  | 61  | 92  | 0,320              |
| 3028 07 | 1 1/4"        | 32  | 27                            | 63  | 71  | 98  | 0,420              |
| 3028 08 | 1 1/2"        | 40  | 34                            | 74  | 81  | 113 | 0,655              |
| 3028 09 | 2"            | 50  | 43                            | 83  | 93  | 126 | 0,975              |
| 3028 10 | 2 1/2"        | 65  | 52                            | 96  | 118 | 158 | 1,845              |
| 3028 11 | 3"            | 80  | 65                            | 126 | 137 | 196 | 3,035              |
| 3028 12 | 4"            | 100 | 79                            | 137 | 163 | 265 | 4,725              |

## DIAGRAMA PÉRDIDA DE CARGA / HEAD LOSS CHART

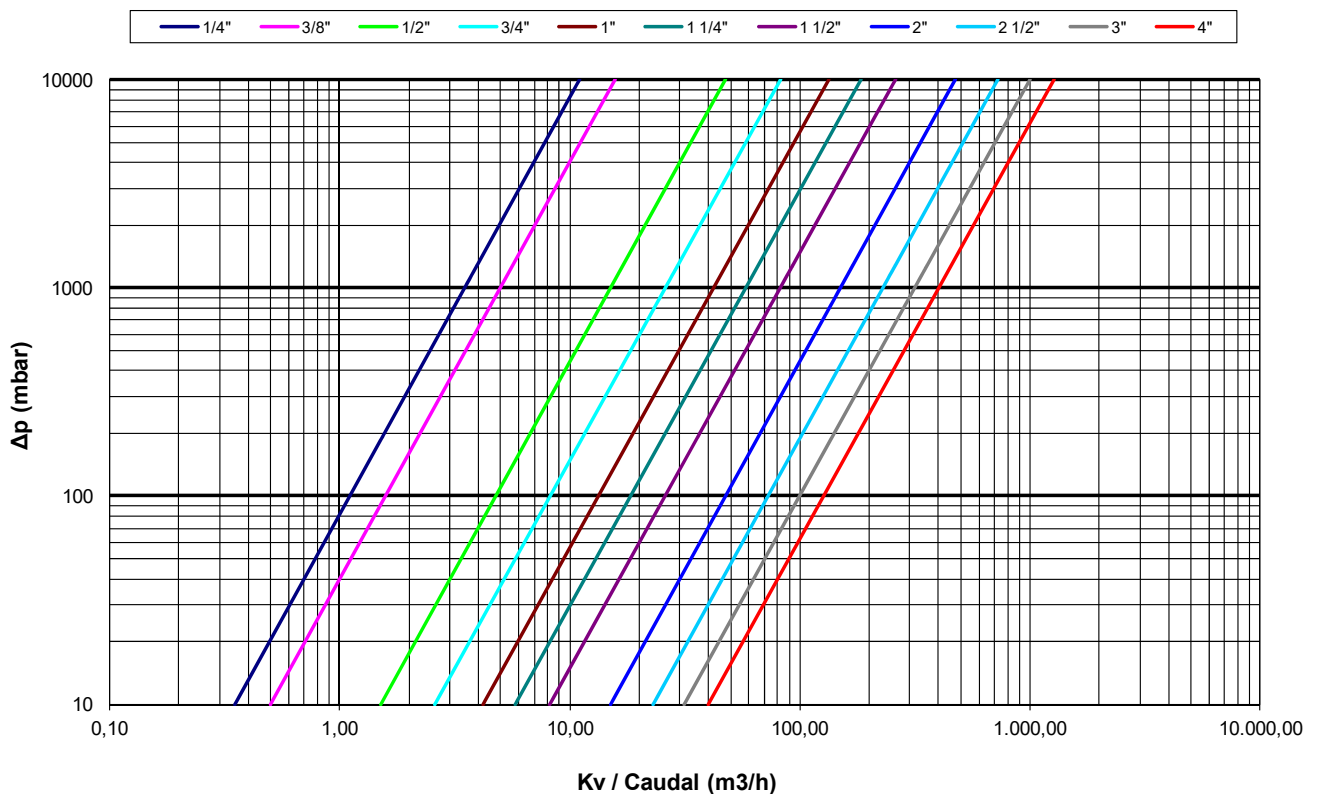
(Válvulas paso estándar roscadas / Threaded ends standard bore ball valves)

Valores de Kv / Kv Values:

**Kv** = Es la cantidad de metros cúbicos por hora que pasará a través de la válvula generando una pérdida de carga de 1 bar.

**Kv** = The flow rate of water in cubic meters per hour that will generate a pressure drop of 1 bar across the valve.

| Medida / Size | 1/4" | 3/8" | 1/2" | 3/4" | 1" | 1 1/4" | 1 1/2" | 2"  | 2 1/2" | 3"  | 4"  |
|---------------|------|------|------|------|----|--------|--------|-----|--------|-----|-----|
| Kv            | 3.5  | 5    | 15   | 26   | 42 | 58     | 82     | 150 | 230    | 315 | 400 |



## CURVA PRESIÓN - TEMPERATURA / PRESSURE - TEMPERATURE RATING

