



### Ordering Information

① ② ③ ④ ⑤ ⑥ ⑦  
ZPT 10 U N - K 20 - B5 - A10

**① 吸盘直径 Pad dia. (mm)**

02	ø2
04	ø4
06	ø6
08	ø8
10	ø10
13	ø13
16	ø16
20	ø20
25	ø25
32	ø32
40	ø40
50	ø50

**③ 材料 Material**

N	丁腈橡胶 NBR
S	硅橡胶 Silicon rubber
U	聚氨酯橡胶 Urethane rubber
F	氟化橡胶 Fluoro rubber

**⑦ 安装连接 Mounting thread diameter/Male thread**

Symbol	Thread dia.	ø2-ø8	ø10-ø32	ø40,
A8	M8×1.0	●		
A10	M10×1.0		●	
A14	M14×1.0			●

**④ \* 缓冲类型**

缓冲类型	描述
可回转型 J	圆柱形不锈钢缓冲杆在搬运过程中工件会发生偏转, 适合搬运没有方向性工件。
不可回转型 K	六角形不锈钢缓冲杆在搬运过程中工件不会发生偏转, 适合搬运有方向要求的工件。

**⑤ 缓冲行程 Stroke (mm)**

Stroke	ø2-ø8	ø20-ø32	ø40, ø50
6	●		
10	●	●	●
15	●		
20		●	●
25	●		
30		●	●
40		●	
50		●	●

**⑥ 真空口连接 Vacuum entry port**

标记 Symbol	Thread dia. Port size	ø2-ø8	ø10-ø32	ø40,
B3	M3×0.5	●		
B5	M5×0.8	●	●	●
B01	Rc1/8			●
N4	ø4Nylon tube 尼龙管	●		
N6	ø6Nylon tube 尼龙管		●	●
U4	ø4Urethane tube 聚氨酯管	●		
U6	ø6Urethane tube 聚氨酯管		●	●
O4	ø4管 tube	●	●	●
O6	ø6管 tube	●	●	●
O8	ø8管 tube			●

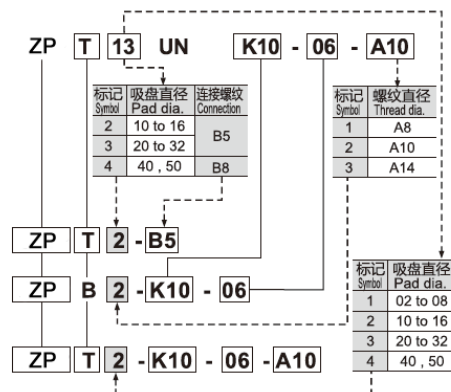
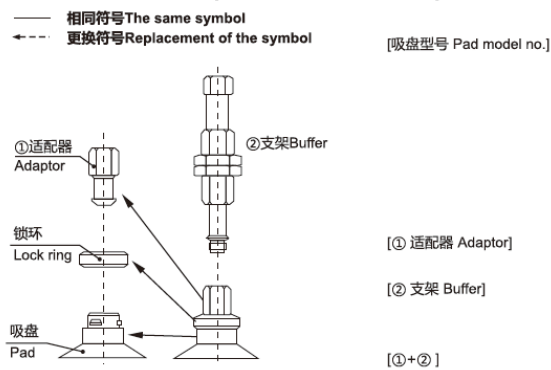
**② 吸盘类型 Pad type**

对应吸盘直径 Applicable pad dia.	ø2	ø4	ø6	ø8	ø10	ø13	ø16	ø20	ø25	ø32	ø40	ø50
U 平形 Flat	●	●	●	●	●	●	●	●	●	●	●	●
C 平形带肋 Flat with ribs					●	●	●	●	●	●	●	●
D 深形 Deep					●	●	●	●	●	●	●	●
B 风琴形 Bellows			●	●	●	●	●	●	●	●	●	●

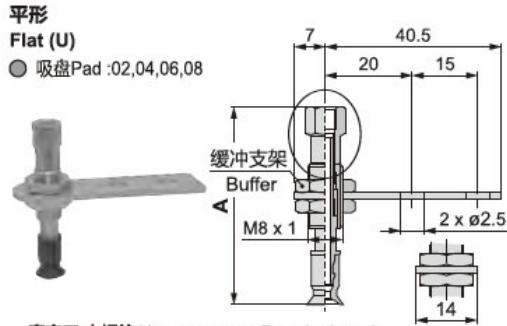
**弹簧压力 Spring Reactive Force**

吸盘直径 Pad dia. (mm)	0 行程 stroke	行程终点 End stroke
ø2-ø8	0.8 N	1.2 N
ø10-ø32	1.0 N	3.0 N
ø40, ø50	2.0 N	5.0 N

### ZPT更换部件方法 Replacement Parts: Adaptor/Buffer



## Dimension



真空口:内螺纹 Vacuum entry: Female thread

型号 Model	A	缓冲支架 Buffer
ZPT ● U □ J6-B3-A8	44	ZPT1J6-B3-A8
ZPT ● U □ J6-B5-A8	46	ZPT1J6-B5-A8
ZPT ● U □ J10-B3-A8	77	ZPT1J10-B3-A8
ZPT ● U □ J10-B5-A8	79	ZPT1J10-B5-A8
ZPT ● U □ J15-B3-A8	82	ZPT1J15-B3-A8
ZPT ● U □ J15-B5-A8	84	ZPT1J15-B5-A8
ZPT ● U □ J25-B3-A8	92	ZPT1J25-B3-A8
ZPT ● U □ J25-B5-A8	94	ZPT1J25-B5-A8

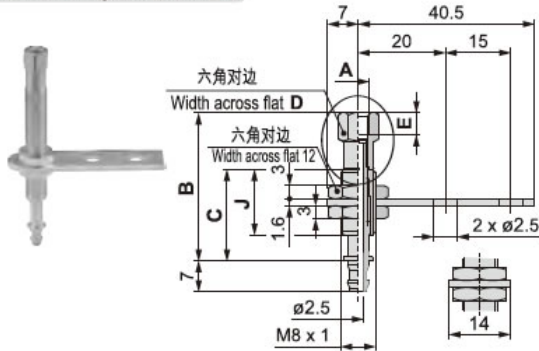
□ 吸盘材质 Material : 丁腈橡胶(N) NBR、硅橡胶(S) Silicon rubber

可回转型(J)和不可回转型(K)尺寸一样 Rotating(J) and Non-rotating(K) are the same size

## ZPT1 垂直真空缓冲支架型号

### Vertical Vacuum Entry with Buffer Part No.

真空口:内螺纹  
Vacuum entry: Female thread



型号 Model	A	B	C	D	E	J
ZPT1J6-B3-A8	M3x0.5	32	21	6	3	15
ZPT1J6-B5-A8	M5x0.8	34	21	8	5	
ZPT1J10-B3-A8	M3x0.5	65	54	6	3	45
ZPT1J10-B5-A8	M5x0.8	67	54	8	5	
ZPT1J15-B3-A8	M3x0.5	70	59	6	3	
ZPT1J15-B5-A8	M5x0.8	72	59	8	5	
ZPT1J25-B3-A8	M3x0.5	80	69	6	3	45
ZPT1J25-B5-A8	M5x0.8	82	69	8	5	