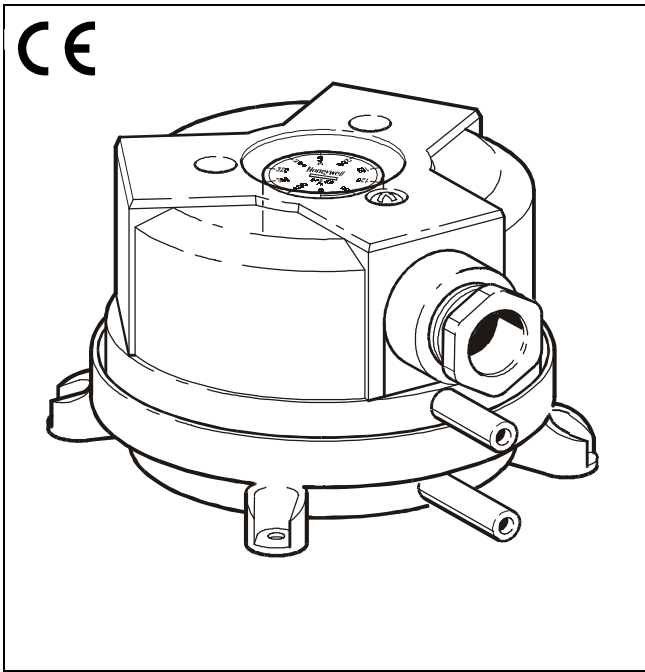


Differential Pressure Switches DPS-Series

FOR AIR CONDITIONING/VENTILATION – USER ADJUSTABLE

PRODUCT DATA



Applications

Differential pressure switch e.g. for monitoring filter, fan, fire damper or air flow status of air handling systems.

Benefits

- Switching point easily adjustable with scale in Pascal
- Direction of PG 11 conduit entry rotatable in steps of 120°
- Only one screw needed for housing cover

Pressure medium

Air, non-flammable and non-aggressive gases

Specifications

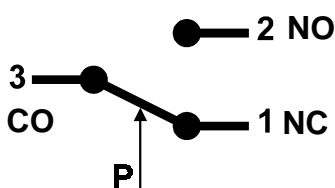
Max. operating pressure:	5000 Pa
Pressure connections:	2 plastic tubes Ø 6.0 mm outside.
Switching capacity:	1.5 A (0.4)/250 V~
Electrical connections:	AMP connectors 6.3 x 0.8 DIN 46244 or screw terminals
Conduit entry	PG 11
Protection class:	IP 54
Mounting lugs:	integrated in bottom housing
Medium/ambient temp.:	- 20 °C – + 85 °C
Storage temperature:	- 40 °C – + 85 °C
Membrane material:	Silicone

Operating ranges

type	adjustment range for upper trip pressure from to	switching difference (hysteresis)
DPS 200	20 – 200 (Pa)	10 (Pa)
DPS 400	40 – 400 (Pa)	20 (Pa)
DPS 1000	200 – 1000 (Pa)	100 (Pa)
DPS 2500	500 – 2500 (Pa)	150 (Pa)

The trip pressure refers to vertical mounting. In case of horizontal mounting (with cover position upwards) the range values increase by 20 Pa.

Arrangement of contacts



Switch off power before removing cover!

Approvals

approval according to low voltage directive EEC 73/23.

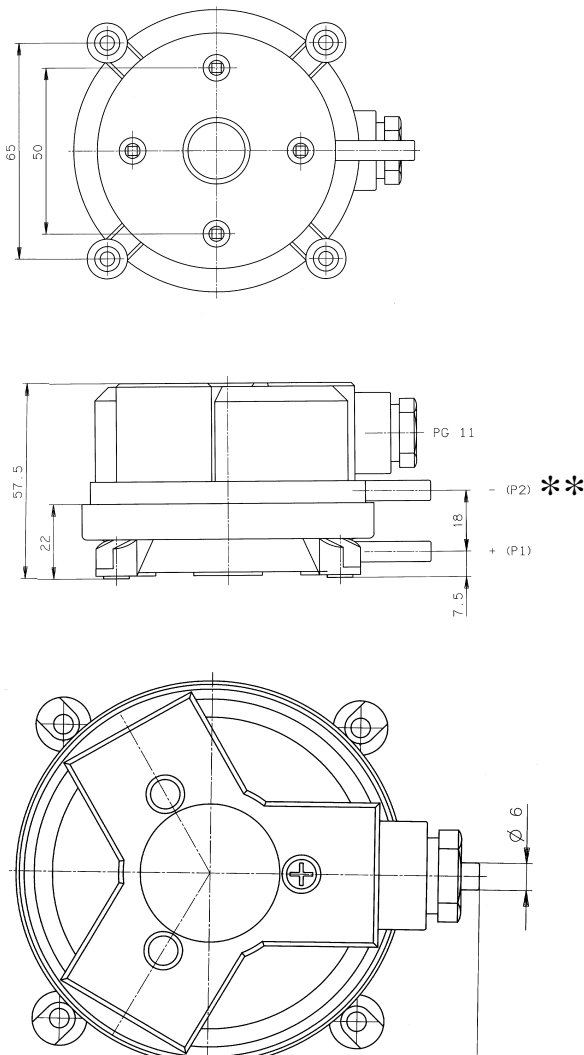
Switch according to VDE 0630. EN-1854.

Accessories

- DPSK* Duct Kit, including 2 m of silicone-hose and 2 joining pipes DPSJ with screws.*
- DPSL Mounting brackets L-shaped
- DPST* Set of 3 push-on screw terminals for AMP connectors.*

* Included in delivery of single package

Dimensions



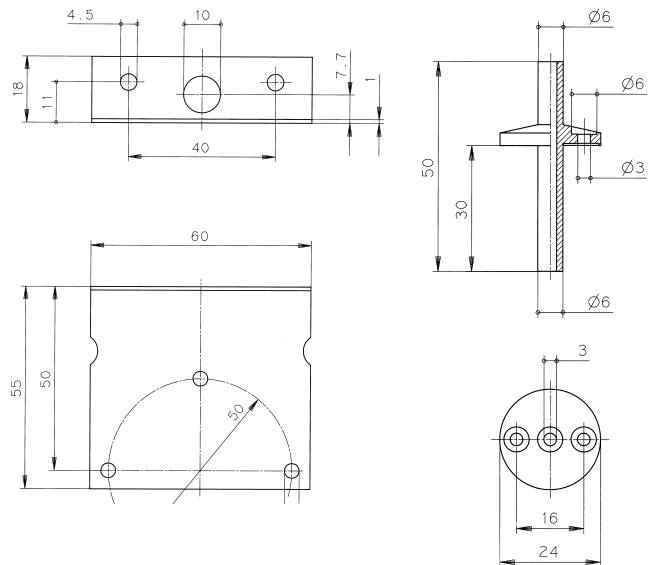
Pressure Switch DPS-Series

- Different cover positions possible
- Cable fitting removable for installation

* Use 2 screws only for mounting lugs!
 ** Remove transport protection from P2!
 Don't install upside down with trip pressures < 50 Pa!

P1 higher pressure
 P2 lower pressure

Options / Accessories



DPSL

L-shaped mounting brackets



DPST Screw Terminal

Joining pipe, DPSJ

L-shaped mounting brackets
 (part of DSPK duct kit)

Content of delivery (for single package)

- 1 DPS Differential Pressure Switch
- 1 Data Sheet with installation information
- 1 DPS kit consisting of:
 - 2 m of silicon hose,
 - 2 joining pipes DPSJ with 4 screws,
 - 2 self tapping screws for mounting of housing
 - 3 terminal screws for electrical installation

Optional accessories

DPSL L-shaped mounting bracket,
 for e.g. vertical installation below ceilings
 including 2 screws

Bulk package available on request

Honeywell

Home and Building Control Products

Honeywell AG
 Böblinger Straße 17
 D-71101 Schönaich
 Phone (49-7031) 637-01
 Fax (49-7031) 637-493

Subject to change without notice.

Printed in Germany.

Manufacturing location is certified to



**DIN EN
 ISO 9001**