

HYDROSTATS

USE

- Pressure controls particularly suitable as presurge tanks.
- Suitable for protection against lack of water in cooling systems.
- Suitable against lack of oil in lubrication circuits or lack of coolant in cooling systems.

INSTALLATION AND OPERATION

- Stainless steel sensing element membrane.
- Fixed differential.
- Female G 1/4" connection (17mm. key).

TECHNICAL FEATURES

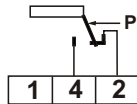
- Metallic frame.
- Cover in antishock thermoplastic material.
- PVC grommet for cable entry.

HOMOLOGATION AND STANDARDS

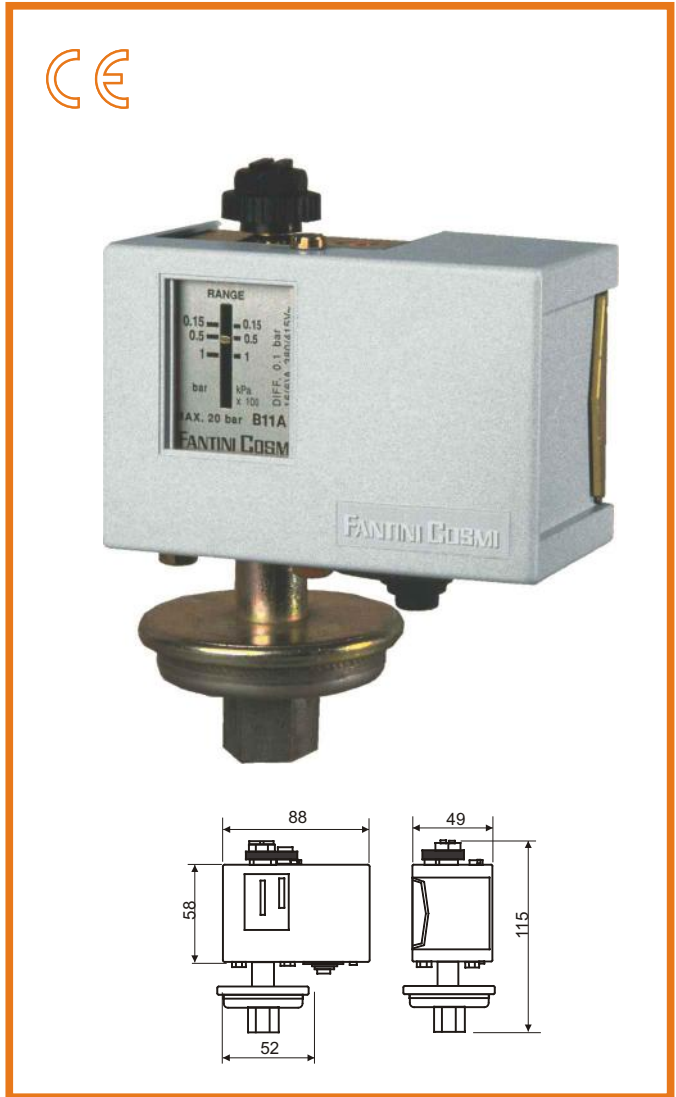
- Complies with CEI EN60947-5-1 standards

ELECTRICAL FEATURES

- Snap action SPDT microswitch, contacts in silver alloy.
- When pressure rises: 1-2 opens 1-4 closes



Nominal insulation	Ui 415 V~		
Continuous duty nominal current	Ith 16A		
Operating nominal current Ie:	220V- 380/415V~		
Resistive load	AC-1	-	16A
Inductive load	AC-3	-	6A
Continuous nominal current	DC-13	0.2A	-



TYPE	RANGE bar	Differential bar *	Max installation pressure bar	Max. sensitive element pressure bar	Max. fluid temperature °C	Maximum pressostat body temperature °C	Protection	Weight each Kg	Box pcs. No
B11AN	0,15 to 1	0,1 fixed	7	20	120	-35 to 60	IP 40	0.47	

- * The differential must be deducted from the range value.
- ◆ In the case of fluid temperatures higher than the maximum allowed, connect a metallic spiral between the pressure switch and the pipe to facilitate heat dispersion.
- **N.B.** Transport and storage temperatures are equivalent to the max. allowable pressostat body temperature

1bar = 100KPa

ACCESSORIES

-G 1/2 cable gland in V0 self-extinguishing, antishock, thermoplastic material.....code **303298L**

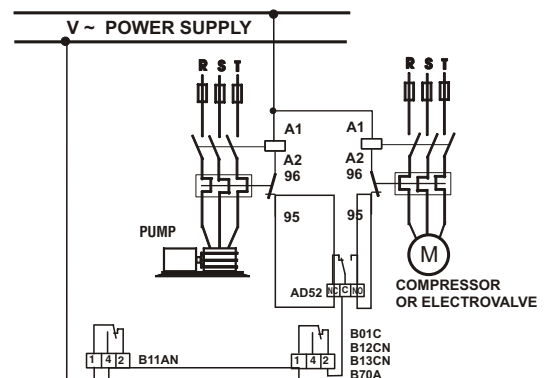
OTHER STANDARD EXECUTIONS

-Weatherproof casing IP65 (see page B... Y)**B11ANY**

SPECIAL EXECUTIONS (for large quantities, ask for offer)

-Male G 1/4" connection**B11AN4**

EXAMPLE: ELECTRICAL WIRING AS SURGE TANK





USE

-Pressovacuumstats to control vacuum values in pumps (B12AN) or regulate pressure values in tanks or steam generators (B12BN) where a low differential is required.

INSTALLATION AND OPERATION

- Stainless steel sensing element membrane.
- Fixed or adjustable differential depending on the type.
- Female G 1/4 " connection (17mm. key).

TECHNICAL FEATURES

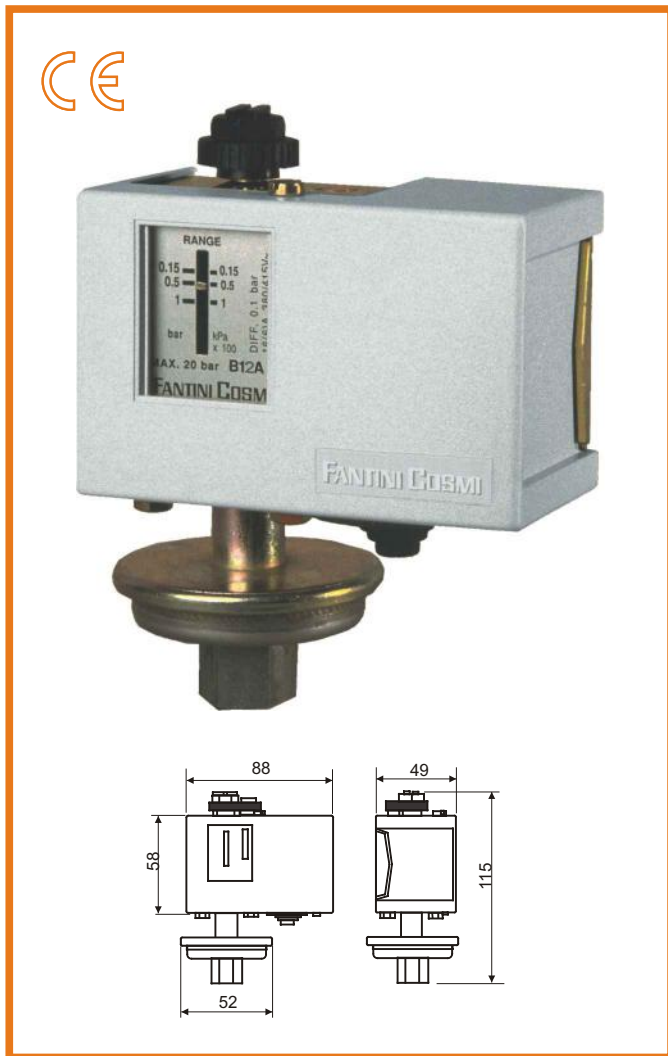
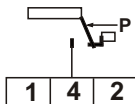
- Metallic frame.
- Cover in antishock thermoplastic material .

HOMOLOGATION AND STANDARDS

- Complies with CEI EN60947-5-1 standards

ELECTRICAL FEATURES

- Snap action SPDT microswitch, contacts in silver alloy.
- When pressure rises: 1-2 opens 1-4 closes



Nominal insulation	Ui 415V~		
Continuous duty nominal current	Ith 16A		
Operating nominal current	Ie: 220V- 380/415V~		
Resistive load	AC-1	-	16A
Inductive load	AC-3	-	6A
Continuous nominal current	DC-13	0.2A	-

TYPE	RANGE bar	Differential bar *	Max. sensitive element pressure bar	Max. fluid temperature °C ♦	Maximum pressostat body temperature °C ●	Protection	Weight each Kg	Box pcs. No
B12AN	-0.82 to 0	0.1 fixed	2.5	120	-35 to 60	IP 40	0.43	
B12BN	0.2 to 2	0.1 to 0.5	4	120	-35 to 60	IP 40	0.44	

- * The differential must be deducted from the range value.
- ♦ In the case of fluid temperatures higher than the maximum allowed, connect a metallic spiral between the pressure switch and the pipe to facilitate heat dispersion.
- **N.B.** Transport and storage temperatures are equivalent to the max. allowable pressostat body temperature.

1bar = 100KPa

ACCESSORIES

-G 1/2 cable gland in V0 self-extinguishing, antishock, thermoplastic materialtype 303298L

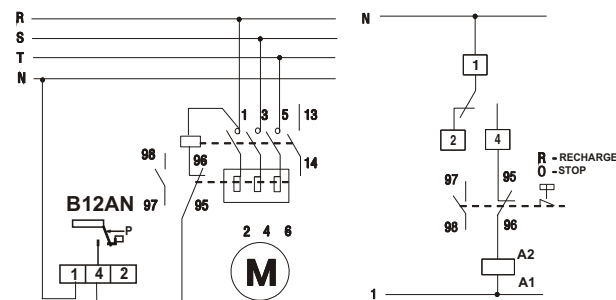
OTHER STANDARD EXECUTIONS

-Weatherproof casing IP65 (see page B...Y)B12..Y

SPECIAL EXECUTIONS (for large quantities, ask for offer)

-Male G 1/4 " connection B12..4

EXAMPLE: ELECTRICAL WIRING FOR VACUUM PUMP



PRESSOSTATS FOR PRESSURE CONTROL UP TO 28 bar



www.lmindustrial.com.ar
info@lmindustrial.com.ar
11 3180 9499

B



USE

- Pressostats for control and regulation of all fluids and gases except the propellant type.
- Suitable for compression plants, boilers, tanks, autoclaves, ventilation plants, lubrication plants .
- If used as control pressostats verify that max. pressure does not exceed max. sensitive element pressure.(See table)

INSTALLATION AND OPERATION

- Stainless steel sensing element membrane.
- Adjustable differential.
- Female G 1/4" connection (17mm. key).
- Execution for refrigerant fluids with 1/4"SAE connection

TECHNICAL FEATURES

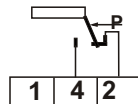
- Metallic frame.
- Cover in antishock thermoplastic material .
- PVC grommet for cable entry.

HOMOLOGATION AND STANDARDS

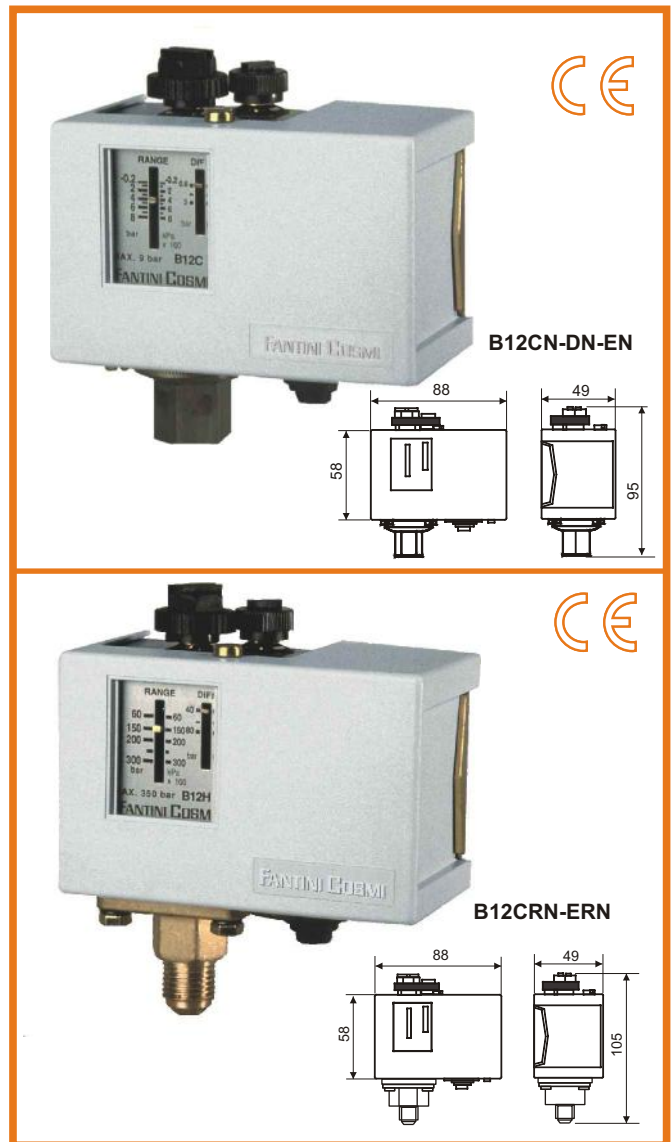
- Complies with CEI EN60947-5-1 standards

ELECTRICAL FEATURES

- Snap action SPDT microswitch, contacts in silver alloy.
- When pressure rises: 1-2 opens 1-4 closes



Nominal insulation	Ui 415V~		
Continuous duty nominal current	Ith 16A		
Operating nominal current	Ie:		
	220V-	380/415V~	
Resistive load	AC-1	-	16A
Inductive load	AC-3	-	6A
Continuous nominal current	DC-13	0.2A	-



TYPE	RANGE	Differential	Max. sensitive element pressure bar	Max. fluid temperature °C	Maximum pressostat body temperature °C	Protection	Weight each Kg	Box pcs. No
	bar	bar *						
B12CN	-0,2 to 8	0,6 to 3	9	120	-35 to 60	IP 40	0.37	
B12DN	5 to 16	1 to 3,5	18	120	-35 to 60	IP 40	0.38	
B12EN	8 to 28	2 to 6	32	120	-35 to 60	IP 40	0.38	

EXECUTION FOR REFRIGERANT FLUIDS - 1/4" SAE CONNECTION

B12CRN	-0,2 to 8	0,6 to 3	9	120	-35 to 60	IP 40	0.38	
B12ERN	8 to 28	2 to 6	32	120	-35 to 60	IP 40	0.38	

* The differential must be deducted from the range value.

◆ In the case of fluid temperatures higher than the maximum allowed, connect a metallic spiral between the pressure switch and the pipe to facilitate heat dispersion.

● **N.B.** Transport and storage temperatures are equivalent to the max. allowable pressostat body temperature

1bar = 100KPa

ACCESSORIES

-G 1/2" cable gland in V0 self-extinguishing, antishock, thermoplastic materialcode 303298L

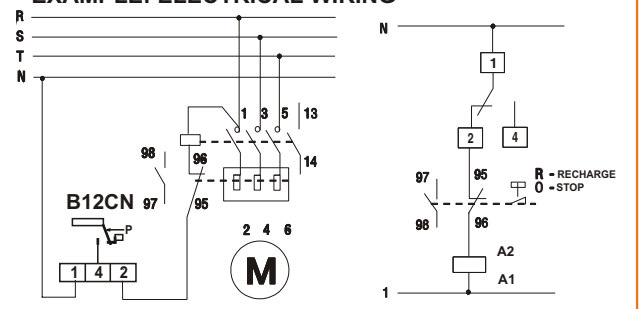
OTHER STANDARD EXECUTIONS

-Weatherproof casin IP65 (see page B...Y).....B12..Y

SPECIAL EXECUTIONS (for large quantities,ask for offer)

-Male G 1/4" connection.....B12..4
-With shutdown and manual reset with max. accuracy (see page B..Y)B12..M

EXAMPLE: ELECTRICAL WIRING



PRESSOSTATS FOR PRESSURE CONTROL UP TO 300 bar



www.lmindustrial.com.ar
info@lmindustrial.com.ar
11 3180 9499

B



USE

- Pressostats for control and regulation of all fluids and gases except the propellant type.
- Suitable for compression plants, boilers, tanks, autoclaves, ventilation plants, lubrication plants and in general whenever a pressure up to 300 bar must be controlled .
- If used as control pressostats verify that max. pressure does not exceed max. sensitive element pressure. (See table)

INSTALLATION AND OPERATION

- Stainless steel sensing element membrane.
- Adjustable differential.
- Male G ¼" connection (17mm. key).

TECHNICAL FEATURES

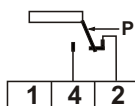
- Metallic frame.
- Cover in antishock thermoplastic material .
- PVC grommet for cable entry.

HOMOLOGATION AND STANDARDS

- Complies with CEI EN60947-5-1 standards

ELECTRICAL FEATURES

- Snap action SPDT microswitch, contacts in silver alloy.
- When pressure rises: 1-2 opens 1-4 closes



Nominal insulation	Ui 415V~		
Continuous duty nominal current	Ith 16A		
Operating nominal current	Ie: 220V- 380/415V~		
Resistive load	AC-1	-	16A
Inductive load	AC-3	-	6A
Continuous nominal current	DC-13	0.2A	-



TYPE	RANGE bar	Differential bar *	Max. sensitive element pressure bar	Max. fluid temperature °C ♦	Maximum pressostat body temperature °C ●	Protection	Weight each Kg	Box pcs. No
B12FN	12 to 50	6 to 15	60	80	-35 to 60	IP 40	0.47	
B12GN	25 to 150	12 to 40	180	80	-35 to 60	IP 40	0.47	
B12HN	60 to 300	40 to 80	350	80	-35 to 60	IP 40	0.46	

- * The differential must be deducted from the range value.
- ♦ In the case of fluid temperatures higher than the maximum allowed, connect a metallic spiral between the pressure switch and the pipe to facilitate heat dispersion.
- **N.B.** Transport and storage temperatures are equivalent to the max. allowable pressostat body temperature

1bar = 100KPa

ACCESSORIES

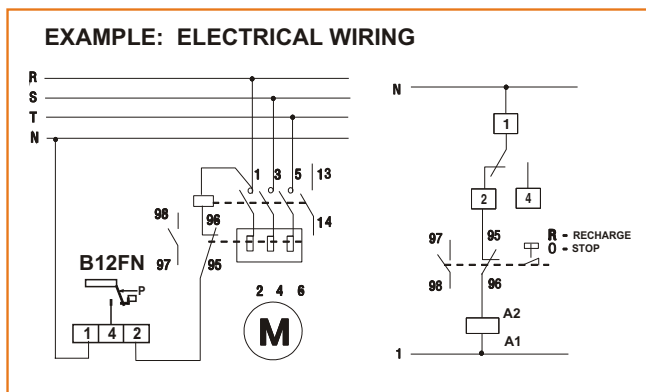
-G ½ cable gland in V0 self-extinguishing, antishock, thermoplastic material.....code **303298L**

OTHER STANDARD EXECUTIONS

-Weatherproof casing IP65 (see page B...Y)..... **B12..Y**

SPECIAL EXECUTIONS (for large quantities, ask for offer)

- Male G ¼" connection **B12..4**
- With shutdown and manual reset with max. accuracy (see page B..Y)..... **B12..M**





BELLOW PRESSOSTATS with low differential

B



USE

-Pressostats for control and regulation, with low differential for air compressors, autoclaves, water insulation and tanks in general where a minimum difference between ON and OFF is required.

INSTALLATION AND OPERATION

- Metallic bellow sensing element, not suitable for corrosive liquids.
- Adjustable differential.
- Male G 1/4" connection.

TECHNICAL FEATURES

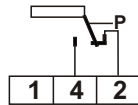
- Metallic frame.
- Cover in antishock thermoplastic material.
- PVC grommet for cable entry.

HOMOLOGATION AND STANDARDS

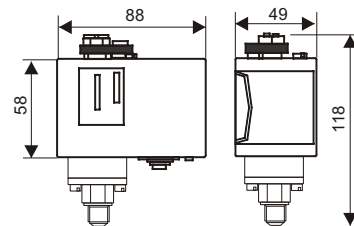
-Complies with CEI En60947-5-1 standards

ELECTRICAL FEATURES

- Snap action SPDT microswitch, with manual reset; contacts in silver alloy.
- When pressure rises: 1-2 opens 1-4 closes



Nominal insulation	Ui 415V~		
Continuous duty nominal current I _{th}	16A		
Operating nominal current I _e :	220V- 380/415V~		
Resistive load	AC-1	-	16A
Inductive load	AC-3	-	6A
Continuous nominal current	DC-13	0.2A	-



TYPE	Range bar	Differential bar *	Max sensitive element pressure bar	Max. fluid temperature °C	Maximum pressostat body temperature °C	Protection	Weight each Kg	Box pcs. No
------	--------------	-----------------------	---------------------------------------	------------------------------	---	------------	-------------------	----------------

FOR AIR AND NON-PROPELLENT GAS

B13BN	0,3 to 4	0.1 to 0.5	6	100	-35 to 60	IP 40	0.38	
--------------	----------	------------	---	-----	-----------	-------	------	--

FOR ALL FLUIDS WITH VISCOSITY UP TO 3° ENGLER

B13CN	1 to 10	0.3 to 1.5	16	100	-35 to 60	IP 40	0.39	
--------------	---------	------------	----	-----	-----------	-------	------	--

* The differential must be deducted from the range value .

♦ In the case of fluid temperatures higher then the maximum allowed, connect a metallic spiral between the pressure switch and the pipe to facilitate heat dispersion.

• N.B. Transport and storage temperatures are equivalent to the max. allowable pressostat body temperature

1bar = 100KPa

EXAMPLE: ELECTRICAL WIRING

